

# 8 2 5 k V A

LG850P (4008TAG2)  
Generating set Technical Data Sheet



ISO 9001:2015



4008TAG2

Powered by

PERKINS Engine

Generating Set

**STANDARD SPECIFICATION**

## General features:

- Composed of PERKINS diesel engine and brushless alternator
- 24V DC start motor and storage battery
- Brushless, Self-excited, IP23, insulation class H alternator
- 50°C radiator as standard
- digital auto-start panel control system as standard, key start panel is optional.
- Fuel tank in base frame
- Optional open type or silent type
- All generator sets are gone through rigorous testing before

Being released to the market place, including 50% load, 75% load, 100% load, 110% load and all protection function

(overspeed stop, high water temperature, low oil pressure,

battery charging fail, emergency stop)

## Genset Main Technical Data

### 3-PH, 50Hz@1500RPM, 400/230V (Can Be Made According To Customers' Special Requirements)

GENSET MODEL	Genset Specification					Engine Specification				Alternator Model
	KVA		Cons 100% (L/H)	dB (A) @7M	Tank (L)	Model	Cyl.	Gov.	Asp.	
	ESP	PRP								
LG825P	825	800	203	85	2000L	4008TAG2	8	E	TAAC	LK634E

- Electric Power must be considered cooling fan loss, alternator efficiency, altitude derating and ambient temperature.

- ESP = Standby power standby duty, operation under variable load without overload.

PRP = Prime power continuous duty operation, under variable load. Variable load should not exceed a 70% average of the Prime Power during any operating period of 24 hours. 10% overload permissible for a period of 1 hour within a 12 hours period of operation.

As the engine factories always recommend:

The operation should always avoid or reduce the time that engine being operated under light or no-load condition. If the engine must be operated under light or no-load condition, the period should be limited within 10 minutes.

Normally the load power should be no less than 30% of prime power.

- E = Electronic speed governor.

M = Mechanical speed governor.

Asp = Aspiration;

NA = Naturally Asp;

- TC = Turbocharged

TAC = Turbocharged air inter-cooled

TAAC = Turbocharged air-air inter-cooled

- Technical data is subject to work test conditions.

Page: 2/5

Powered by

4008TAG2

PERKINS Engine

Generating Set

## Reliable Performance

Voltage regulation

Voltage regulation maintained within  $\pm 0.5\%$  as follow:

- Power factor Between 0.8 ~ 1.0 lag

- From no load to full load, any steady load

- Speed droop variation under 4.5%

Frequency/Speed undulation

- Change load from 0-100%, Frequency/Speed Droop Ratio within 5%.

- Load from 25-100%, any steady load Frequency/Speed undulation within 0.25%

### Effect factor of telecom

- TIF( MA MG1-22) better than 50

- THF( BS EN60034) better than 2%

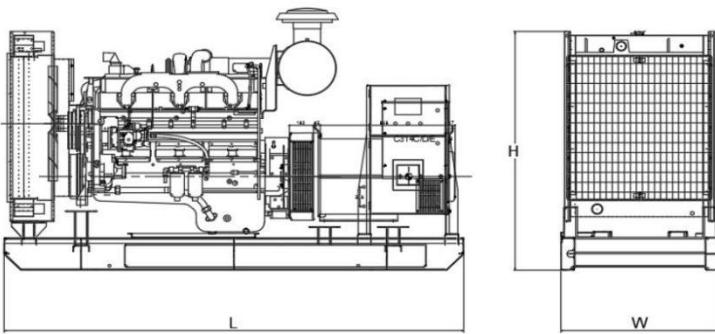
## Criterion

- ISO8528, GB/T2820

- EN12601:2001, EN60034-22:1997, EN60204-1:2006

- ISO9001:2015 Quality Control System

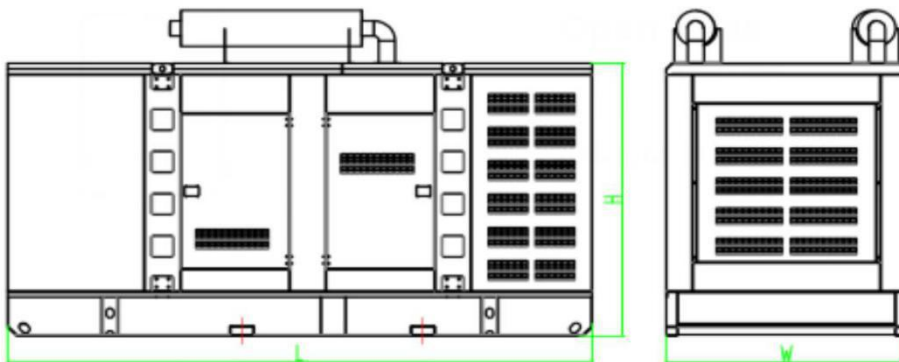
## Dimension and Weight



### Open Type

Over all size (L\*W\*H)  
5828\*2283\*2191

Weight: 7611kg



### Common Silent Type

Over all size (L\*W\*H)  
5800\*2110\*2591

Weight: 10600g

Page: 3/5

Powered by

**PERKINS Engine**

**Generating Set**

## Engine Specification

PERKINS Diesel Engine

Technical Data

Engine Model	4008TAG2
Number of Cylinders	8
Cylinder arrangement	InLine

Aspiration	Turbocharged air-airintercooled
Bore×Stroke(mm×mm)	160*190
Displacement(Liter)	30.561
Compression Ratio	14.5:1
PrimePower/Speed(kW/rpm)	886/1500RPM
Controller	<b>DSE7320</b>
SpeedGovernor	Electronic
CoolingSystem	Water-cooled, 50°C radiatoras standard
Total lubrication system capacity (L)	160L
Coolant capacity (withoutradiator) (L)	14 9L
Fuel Consumption	206L/hat 100%load
Starter Motor	DC24V
Start type	Electrical

## Alternator Specification

Stamford Type Alternator (Standard)

Technical Data

Stamford Alternator Model	LK634E
Rated output power	800KVA/825KVA
Exciter type	Brushless, Self-excited
Power factor	0.8
Voltage Adjust range	≥5%
Voltage Regulation NL-FL	≤±1%
Insulation Grade	H
Protection Grade	IP23

Page: 4/5

4008TAG2

Powered by

**PERKINS Engine**

Generating Set

## Control System

1. Standard: Deepsea DSE8610 AMF Digital Controller

Providing the standard functions as follows:

(Also can be made according to the customers' special requirements)

- \* Automatic Start/Stop
- \* Offer electronic(CAN) and non-electronic (magnetic pick-up/alternators ensing) engine versions
- \* offer a number of flexible inputs,output and engine protections
- \* Parameters display (V/A/Hz/Hour)



- \* Engine monitoring and protection
- \* Charge alternator exciting and Charge alternator fail alarm
- \* Running hour counting
- \* Emergency stop push button

\* Monitoring speed, frequency, voltage, current, oil pressure, coolant temperature and fuel level, the modules will display warnings, shutdown and engine status information on the back-lit LCD screen and illuminated LED.

\* Protection System: Overspeed, High Engine Temperature, Low Oil Pressure, Emergency Stop. And the other protection function pre-setting.

Digital Auto-start Generator controller integrating digital, intelligent and net work techniques is used for automatic control system of diesel generator. It can carry out functions including automatic start/stop, data measure and alarming. Optionally assembled with ATS, it can carry out auto-switching between the outer power and generating set power. (AMF)

2. Option: Deepsea DSE7320 AMF Digital Auto Start
3. Option: ComAp AMF20/ AMF25 Digital Auto Start
4. Option: Deepsea DSE6120 AMF Digital Auto Start



(1) DSE7320



(2) DSE7320



(3) AMF25



# Unlimited Generators