

POWER YOUR FUTURE

SDEC Generator LG900SC

6KTAA25-G31

Prime Power: 654KW/820KVA

Standby Power: 720KW/900KVA



GENERATING POWER SOLUTIONS

Increased availability for new operations

Reliable, robust and versatile generator.
Ready to deliver power for a next job.

Increased uptime during operations

Once installed on the end-user-site, the generator will be ready to run: "peace of mind" operation.

Reduced transport and installation costs

The compact and robust design with integrated transport features enables faster and safer transport and installation.

Reduced service & maintenance costs

Longer service intervals.
Quicker and more efficient service jobs.

Premium resale value

Designed and built to last.



Unlimited
Generators



SAFETY

- Operate safely in accordance with proper operation manual.
- To prevent trouble and accidents perform daily and preventive maintenance checks without fail.

SDEC Series

10KVA--1250KVA



Unlimited
Generators

Unlimited Generators

Headquarters:

Add: 26 De Kock Street , Strand 7140,Cape Town, South Africa

Cell: 073 482 8287 Fax: 086 568 2827

Email: quintusretief@gmail.com

Web: www.unlimitedgenerators.co.za/

Technical Data

Model	LG900SC	
Rated prime power	kva	820
Rated standard power	kva	900
Rated voltage line to line	V	400/230
Rated current	A	1180
Maximun sound level	dB(@7m)	≤75

Engine-SDEC

Model	6KTAA25-G31	
Air intake system	Turbocharged	
Fuel injection system	P Type	
No. cylinders	6	
Displacement	Liquid	25.18
Bore*Stroke	mm	170*185
Compression ratio	14.5	
Rated speed	r/min	1500
Rated net power(with fan)	Kw	728
Governor type	HPCR	
Start Motor	V	24

Exhaust System

Exhaust gas flow	m ³ /min	138
Exhaust gas temp	°C	650
Max back pressure	kPa	≤6

Air Intake System

Max intake restriction	kPa	6
Consumption	m ³ /min	55
Air flow	m ³ /s	10

Fuel System

100% load(Prime power)	L/h	169
75% load(Prime power)	L/h	127
50% load(Prime power)	L/h	85
Fuel tank capacity--	L	1000L

Aluminum

Lubrication System

Total system oil capacity	L	65
Oil temperature maximum to bearings	°C	115
Min oil pressure	KPa	/
(continuous operation)		

Cooling System

Total coolant capacity	L	51
Thermostat	°C	77-90
Max top tank temperature	°C	104

Alternator

Model	LONGKAI	LK634C
STAMFORD		
Phase	3	
Voltage	V	400/230
Wiring Type	3 Phase 4 wire, Y type	
Bearing	1	
Power factor	0.8	
Frequency	Hz	50
Prime power	KVA	820
Exciter Type	Brushless, self-excitation	
Voltage regulation	%	±0.5
Protection Grade	IP 23	
Insulation grade	H/H	
Altitude	m	≤1000

Controller-DEEPSSEA

Model	DSE6120
-------	---------

Protective functions:

- Low oil pressure
- High water temperature
- High/low voltage
- High Engine Temperature and Overspeed.
- Voltage regulator frequency regulator
- Emergency stop
- Start failure



Control Module Options



- Auto generator control module
- Control module with "Three Remote Control" functions
- ATS auto load transfer screen
- Synchronising control modules
- Power output cabinet

Standard Features

- Engine(SDEC)
- Radiator 50°C max, fans are driven by belt
- 24V charge alternator
- Alternator: single bearing alternator IP23, insulation class H/H
- Standard auto control system
- One set of air filter, fuel filter, oil filter
- Main line circuit breaker/MCCB
- Base fuel tank
- Two 12V batteries, rac and cable
- Exhaust system(Ripple flex exhaust pipe, exhaust siphon, flange, muffler)
- User manual
- Water oil separator
- Automatic transfer switch/ATS
- Switch box

Options

- Battery charge
- Engine heater
- Alternator heater
- PMG
- Daily fuel tank
- Remote control panel

Standard: ●

Options: ○

Warranty*

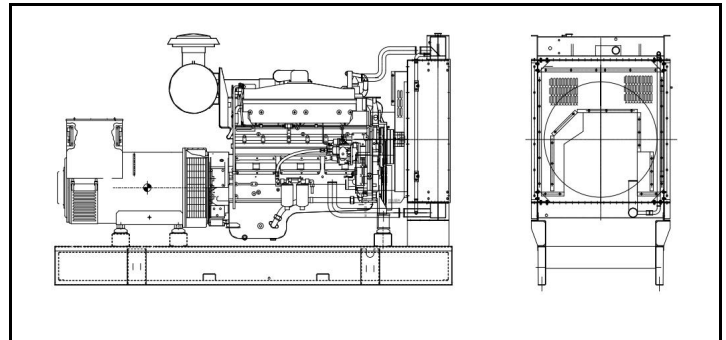
SDEC Engine

12 months from date of purchase and 1000 hours.

Generator

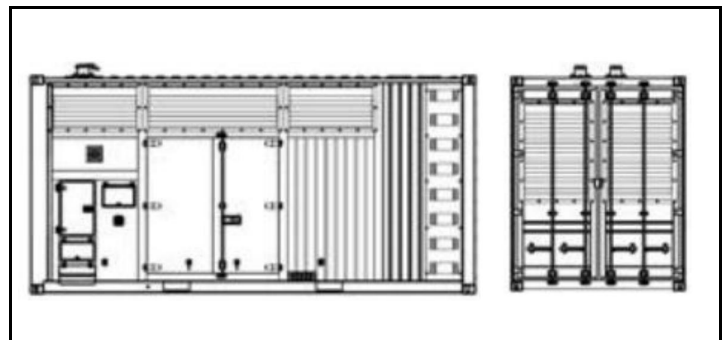
12 months from date of purchase or 1000 hours (whichever occurs first).

Unit Dimensions(Basic unit)



Open Type

L*W*H	mm	3600*1500*2060
Weight	kg	13020



Silent Type

L*W*H	mm	6060*2400*2560
Weight	kg	15020